

EVERVISION	MODEL NO.		PAGE
	VGG128004-T	SPEC SAMPLE	5

4. Application

This specification is applied to the 10.1 inch WXGA supported TFT-LCD module with projected capacitive touch (PCT), and can display true 16.7M colors. This module is composed of a 10.1" TFT-LCD panel, a driver circuit and backlight unit and used as the input devices for general electric appliances via both finger and Capacitive stylus pen.

5. Features

- 10.1" USB Type C Open Frame Monitor
- Use Double Sided Tape Bonding Between PCT and LCM
- Use Double Sided Tape Bonding Between PCT and CG
- Projected Capacitive Touch
 - Multi Touch (Ten points)
 - 2048 x 2048 resolution
 - CG Chemical Strengthening
- Support VESA mounting
- Build-in 4Ω 2W*2 Speaker

6. General Specifications

Item	Specifications	Unit
Screen Size	10.1 (Diagonal)	inch
Display Format	1280RGB(H)×800(V)	dot
Active Area	216.96(H)×135.6(V)	mm
Pixel Pitch	0.1695(H)×0.1695(V)	mm
Pixel Configuration	RGB Vertical Stripe	-
Display Mode	AAS / Transmissive Mode / Normally Black	-
Surface Treatment	Clear(7H)	-
Viewing Direction	Full view angle	-
Outline Dimension	305.86(W)×209.7(H)×32.0(D)	mm
Weight	(1530)	-
RoHS Compliance	RoHS Compliance	-

EVERVISION	MODEL NO.		PAGE
	VGG128004-T	SPEC SAMPLE	6

7. Absolute Maximum Ratings

7.1 Absolute Ratings of Environment

Item	Symbol	Value		Unit	Note
		Min.	Max.		
Storage Temperature	TST	-20	+80	°C	(1)(2)
Operating Temperature	TOP	0	+70	°C	(1)(2)

Note1: Background color changes slightly depending on ambient temperature.

This phenomenon is reversible.

Note2: Please refer to item of RELIABILITY.

8. Electrical Characteristics

8.1 System Power Supply

(Ta=25±2°C)

Item	Symbol	Value			Unit	Note
		Min.	Typ.	Max.		
USB Power Voltage	V _{BUS}	4.5	5.0	5.5	V	(1)
USB Power Current	I _{BUS}	-	1.0	1.4	A	(1)
LED Life Time(25°C)	-	50000	60000	-	hr	(2)
IC Type	FT7811					-

Note:

- (1) The specified power consumption is under the conditions at VIN=12V, whereas a power dissipation check pattern below is displayed.

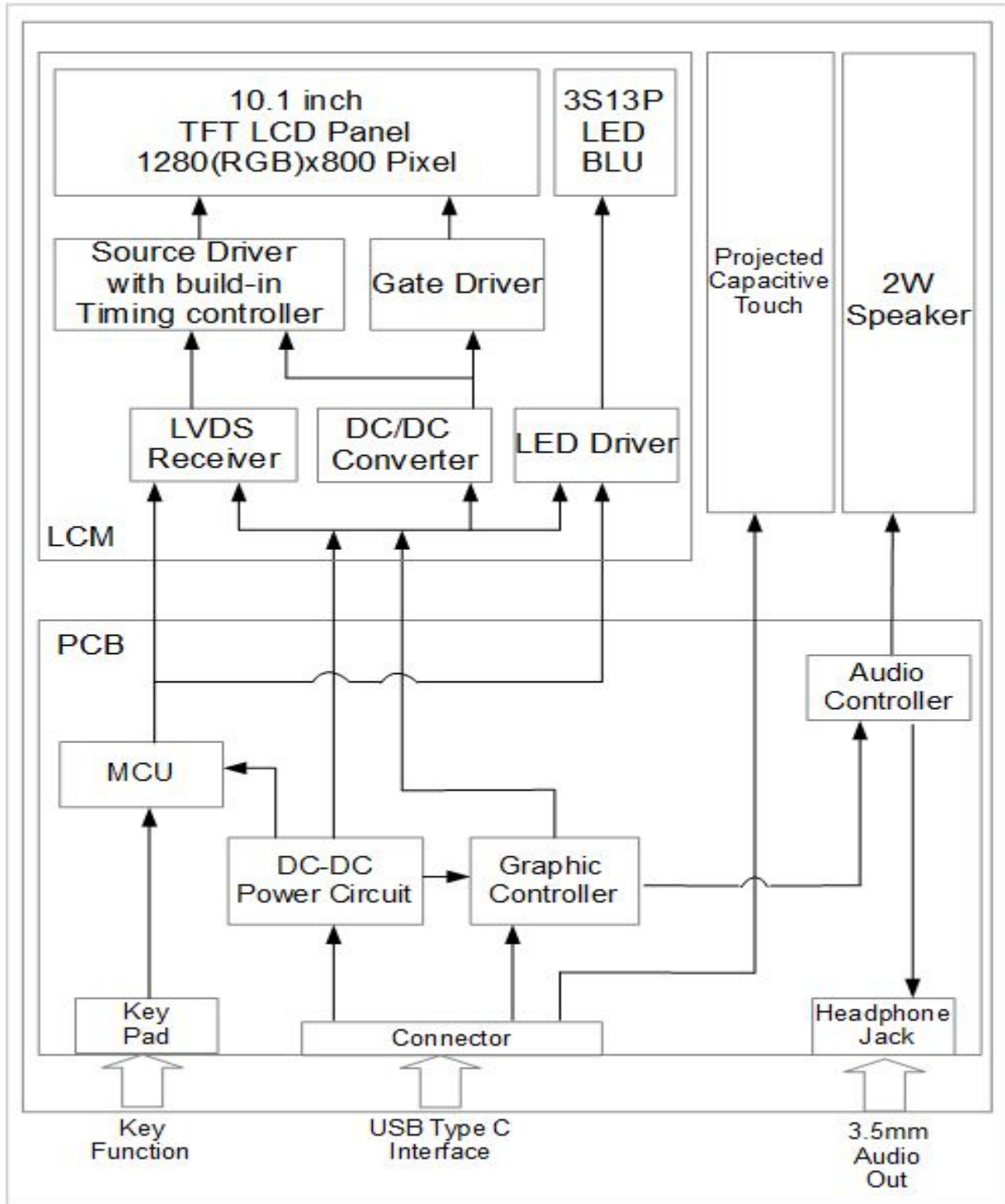
White Pattern / 255 Gray ↵



Active Area ↵

- (2) LED life time is defined as under 25±2°C, when the average brightness decrease to 50% of original brightness

9. Block Diagram



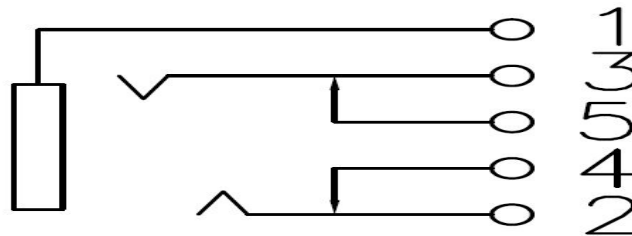
10. Input / Output Terminals Pin Assignment

Connector: USB Type C Connector

No.	Symbol	No.	Symbol
A1	GND	B12	GND
A2	SSTXp1	B11	SSRXp1
A3	SSTXn1	B10	SSRXn1
A4	V _{BUS}	B9	V _{BUS}
A5	CC1	B8	SBU2
A6	Dp1	B7	Dn2
A7	Dn1	B6	Dp2
A8	SBU1	B5	CC2
A9	V _{BUS}	B4	V _{BUS}
A10	SSRXn2	B3	SSTXn2
A11	SSRXp2	B2	SSTXp2
A12	GND	B1	GND

Connector: Headphone Jack

No.	Symbol
1	GND
2	AUDIO_L
3	AUDIO_R
4	AUDIO_L(SPEAKER)
5	AUDIO_R(SPEAKER)



Note:

When the earphone is inserted into the headphone jack, the sound from the speaker will automatically turn off.

When the earphone is pulled out of the headphone jack, the sound will automatically be played on speaker.

Key Button function:

Button	Function
POWER	Turn the system ON or OFF
UP	Increase Backlight Brightness(Note)
DOWN	Decrease Backlight Brightness(Note)

Note: The adjustable brightness range is 10~100%, each press will increase (decrease) 5% of brightness. 100% brightness is preset.

11. User Guide For Initial Operation:

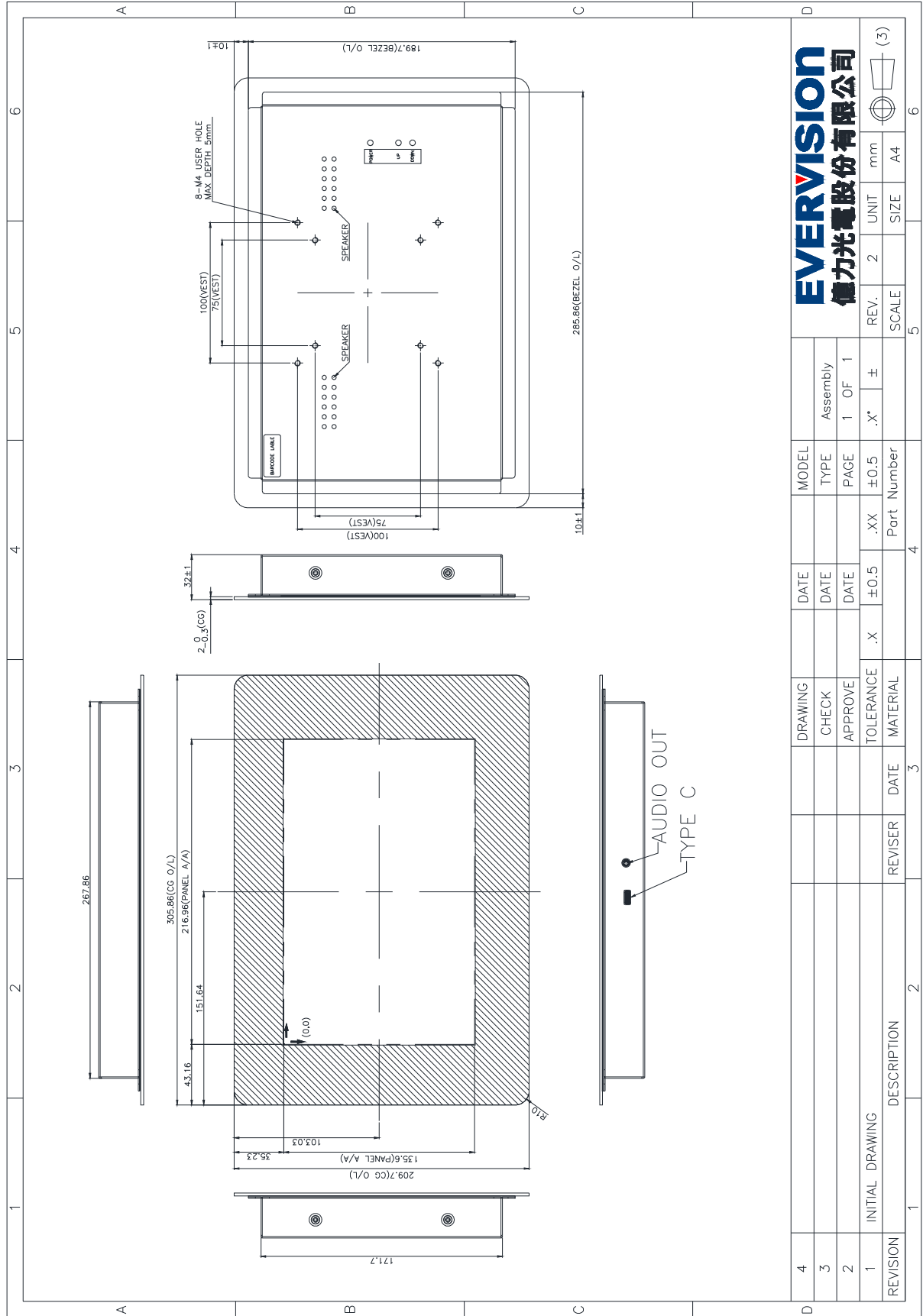
1. Take USB type C cable and connect LCM to computer.

12. Optical Characteristics

The optical characteristics should be measured in a dark environment (≤ 1 lux) or equivalent state with the methods shown in Note (4).

Item		Symbol	Conditions	Min.	Typ.	Max.	Unit	Note
Contrast Ratio		CR	$\theta_x=0^\circ, \theta_y=0^\circ$ Viewing Normal Angle	600	(800)	-	-	(2)
Response Time		T_R		-	10	20	ms	(3)
		T_F		-	15	30	ms	
Luminance(Center)		Y		400	(440)	-	cd/m ²	(4)
Brightness uniformity		BUNI		75	(80)	-	%	(5)
Color Chromaticity	White	W_x		0.260	0.310	0.360	-	(1),(4)
		W_y		0.280	0.330	0.380	-	
	Red	R_x		0.550	0.600	0.650	-	
		R_y		0.290	0.340	0.390	-	
	Green	G_x		0.290	0.340	0.390	-	
		G_y	0.540	0.590	0.640	-		
	Blue	B_x	0.105	0.155	0.205	-		
		B_y	0.090	0.140	0.190	-		
Viewing Angle	Horizontal	θ_{x+}	$CR \geq 10$	75	(85)	-	deg.	
		θ_{x-}		75	(85)	-		
	Vertical	θ_{y+}		75	(85)	-		
		θ_{y-}		75	(85)	-		

16.Outline Drawing



EVERVISION
 億力光電股份有限公司

REVISION	DESCRIPTION	REVISOR	DATE	MATERIAL	TOLERANCE	.X	±0.5	.XX	±0.5	Part Number	SCALE	UNIT	SIZE
1	INITIAL DRAWING											mm	A4
2													
3													
4													



REV. 2 UNIT mm SCALE A4 (3)